



# DISPENSING SOLUTIONS > PROGRESS 1000

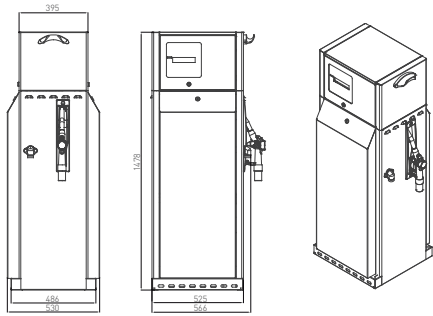
## ✓ TECHNICAL SPECIFICATIONS

MAIN FEATURES	
Construction	Frame: Galvanised Steel; Double Coated Painting
	Housing: Stainless Steel
	Panels: Aluminium; Double Coated Painting
Admission	Suction: High Performance Compact Gear Pump RTF Pressure: Submersible Pump
Meter	Positive Displacement Meter PTF, with Pulse Generator and Integrated Electronic Calibration
Filters	Reusable Stainless Steel, 100 µm mesh
Motor	Eexd, Single/ Three-Phase, 50/60 Hz w/ Internal Thermal Protection
Calculator	eMC Counter w/Pulse Interface
Hose	Ø16, 19, 21, 25 mm (EN1360/EN13483) (VR2 Approved)
Nozzle	Automatic ZVA2 or Others
Fuel Types	Petrol   Diesel   Biodiesel   Ethanol (E85) (1)   AdBlue (1)
Flow Rates	10, 40, 80, 130 L/min   Up to 1 Products / 2 Hoses
Certificates	ATEX
Note: (1) Only available with pressure pumps.	

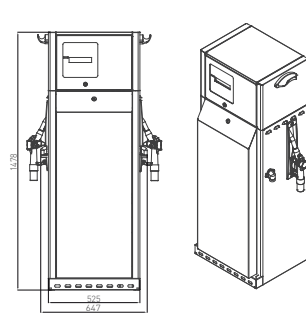
OPTIONS		
- Speed Selector (40/80 L/min)	- Three-Phase Motor	- Custom Nozzles and Sleeves
- Electro-mechanical Totalizers	- Fleet Management	- Flexible Riser Connection
- Volume Preset	- AdBlue Hydraulic Housing Heating (ATEX)	- Stainless Steel AISI304 Image Panel
- Circuit Breaker	- AdBlue Hydraulic Housing Heating	- Stainless Steel AISI316 Housing
- Electronics Head Heating	- Low Temperature Kit	- Foundation Frame
- Vapour Recovery Stage II (*)	- Satellite Ready	- Custom Corporate Image
- Single-Phase Motor	- Breakaway Couplings	- Hose Mast
Note: (*) Only available with suction pumps.		

# ✓ AVAILABLE CONFIGURATIONS

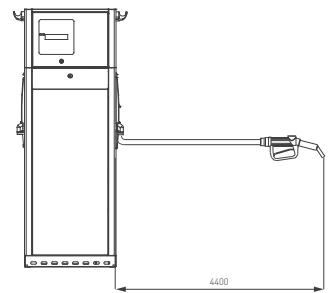
P1000 - 1P1H - STANDARD HOSE BRACKET



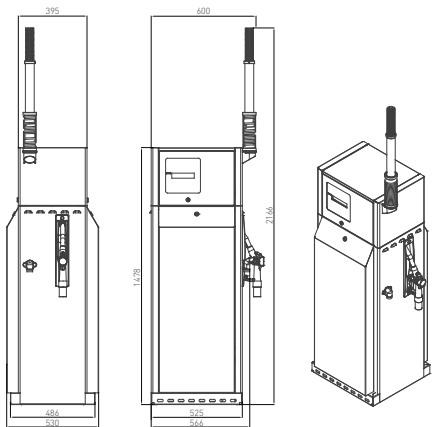
P1000 - 1P2H - STANDARD HOSE BRACKET



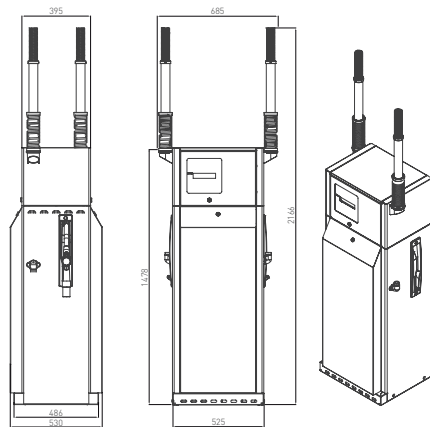
P1000 - STANDARD HOSE LENGHT



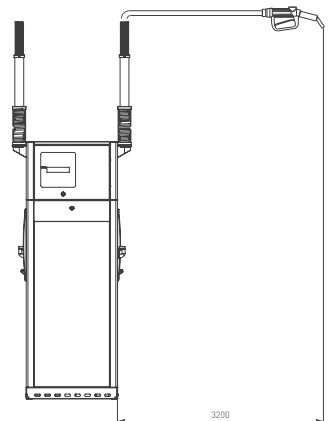
P1000 - 1P1H - HOSE MAST



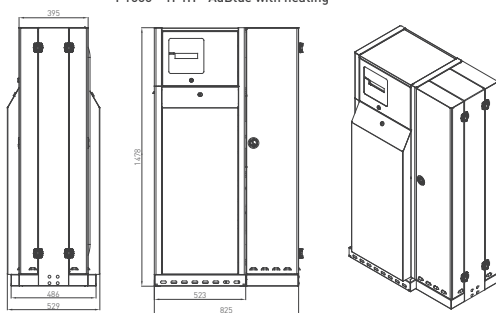
P1000 - 1P2H - HOSE MAST



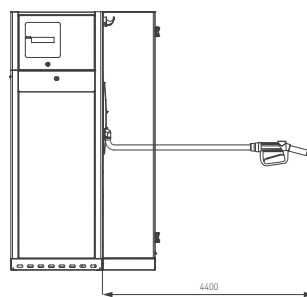
P1000 - HOSE MAST LENGHT



P1000 - 1P1H - AdBlue with heating



P1000 - AdBlue HOSE LENGHT



Note: All dimensions are in mm.

MOD. IBPROGRES1000 04\_2018

© 2018 Petrotec Group | All rights reserved. Petrotec, the Petrotec logo, Progress and combinations thereof are registered trademarks of Petrotec Group. Other names are informational and may be trademarks of their respective owners. Petrotec is continuously improving its products. Changes on the specifications may occur without prior notice. The imagery used may be indicative of style only. The available brochures are a guide and do not constitute an offer or contract.

